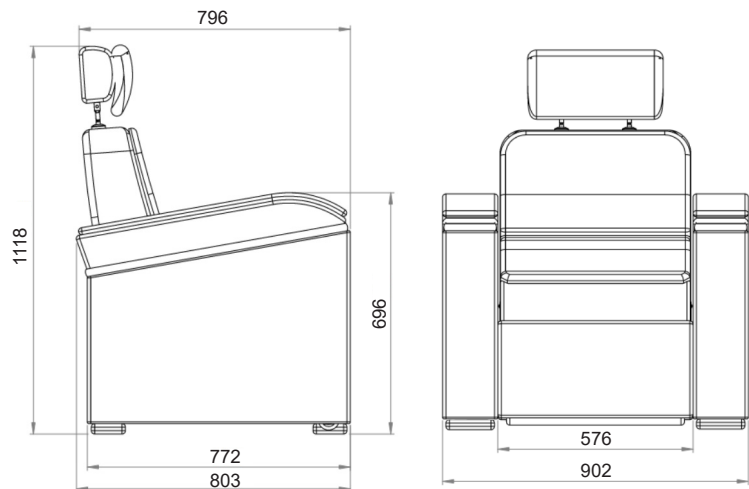
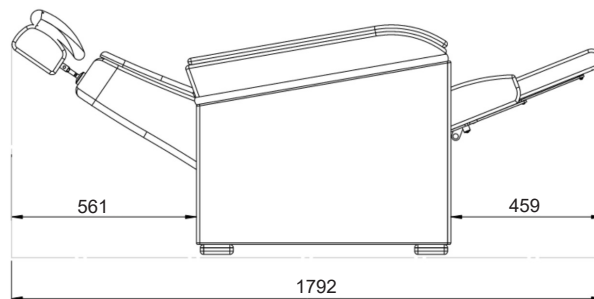


Profile and front views

Dimensions in mm

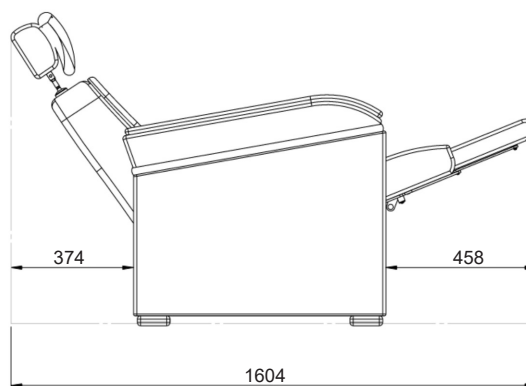


Closed position



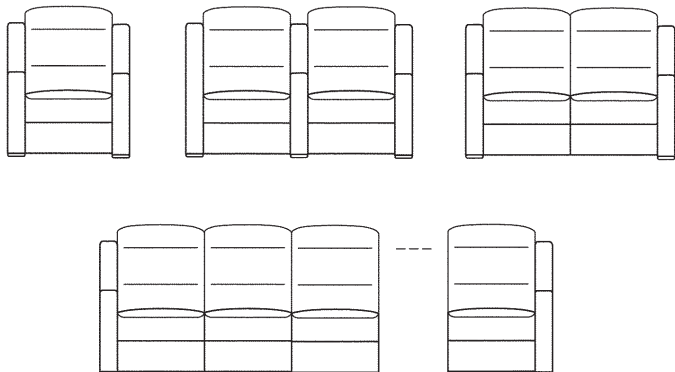
Lying position

Lying position with pack 4+ option



CONFIGURATIONS

All the configurations are possible:  
Highly adjustable, the installation can be custom-made:  
user may choose several independent armchairs, several sofas in row, with or without armrest for separation.



This must-have seat combines the best from technology, a yielding design and exceptional comfort.

- Reclinable back angle up to 160°
- Monobody chair with double motorization allowing independent management of the backrest and leg rest
- Piloting of the two movements by recessed control
- Tilting headrest for better cervical support
- Seat tilt controlled by the motorized backrest to distribute the weight to relieve the back optimally
- Telescopic leg-rest: it slides to enable to legs to rest along the length
- Large storage spaces in the armrests

TECHNICAL SHEET

Chemin de Beaurepaire  
91410 DOURDAN - FRANCE  
Tel +33 1 64 59 94 54



Upholstery

STANDARD REMOTE CONTROL integrated in the armrest



TELESCOPIC LEG REST for maximum comfort and rest total



CAREFUL FINISH with a wide choice of quality fabrics and leathers



UPHOLSTERY

To harmonize your chair with your room:

- 3 qualities of leather are available: Atlas, Select or Prestige, as well as a wide range of colors
- 2 ranges of fabrics in many colors
- Many colors of woodwork are available: Mahogany, Cherry, Light Oak, Oak, Dark Oak, Natural, Wenge,...
- We can work with your own leather or fabrics

11 WOOD TINTS



WOOD TINTS

Our solid beech is woodstained and polyurthane coated.

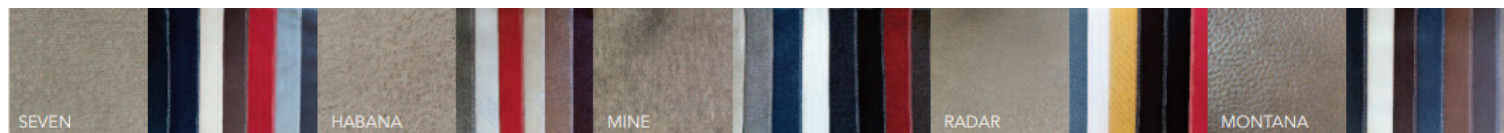
3 LEATHER QUALITIES



LEATHER QUALITIES

We use the finest corrected-grain upholstery hide from Europe and Scandinavia. Leather is dye tinted for a granular or smooth finish, using semi-aniline or pure aniline dye. Leather thickness varies from 1,2 to 1,6mm.

5 FABRIC RANGES



Chemin de Beaurepaire  
91410 DOURDAN - FRANCE  
Tel +33 1 64 59 94 54



TECHNICAL SHEET

Options

RETRACTABLE WOOD CUP HOLDER



\*POPCORN CUP HOLDER



\*BASIC COOLED CUP HOLDER



\*CUP HOLDER +



\* Can be embedded directly into leather or fabrics; or in the wooden shelf with optional 3/4 armrest

3/4 ARMRESTS



STORAGE ROOM



PACK 4+



CURVED ROW



POUFFES (40X44XH44CM)



DAYBED (WIDTH 80 OR 120CM)



OPTIONS

- Retractable wood cup holder
- Popcorn cup holder
- Basic cooled cup holder: refrigeration function and blue backlighting in light only position, green in refrigeration position. Can also be turned off
- Cup holder +: Cooled and backlit. The seat controls are in the cup holder module. Simultaneous recline and footrest operation. Relaxing backrest vibration.
- Pack 4+ : Backlit control panel, back-rest end stop adjustment, presence detector with automatic closing, secured footrest, USB port
- Lacquered wood

2 models of cushions  
in option :  
Rectangular 56x36 cm  
Square 38x38 cm



Chemin de Beaurepaire  
91410 DOURDAN - FRANCE  
Tel +33 1 64 59 94 54



TECHNICAL SHEET