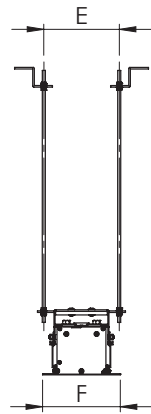
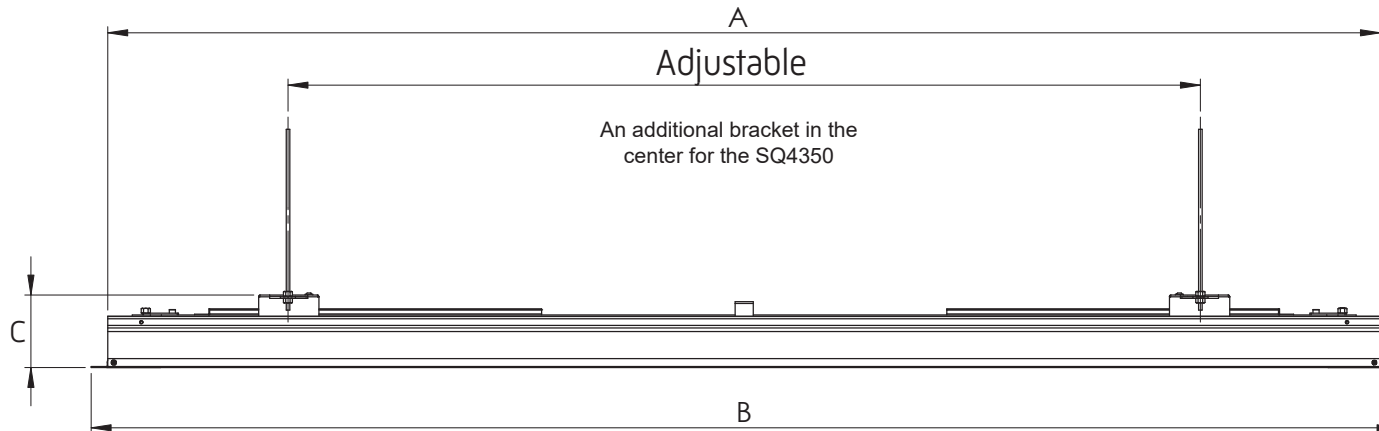


Front and side view

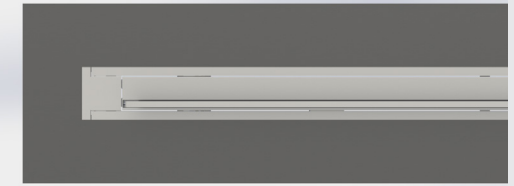


- A False-ceiling cut (length)
- B underface length
- C Height
- D False-ceiling cut (depth)
- E Fixing center-distance (depth)
- F Casing width



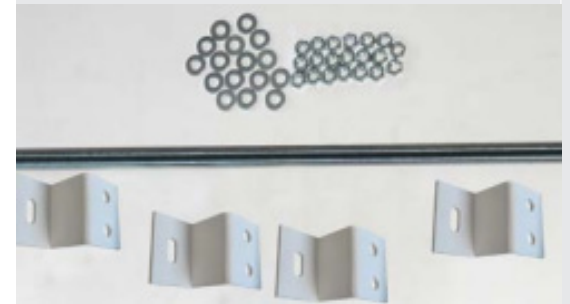
Technical data

UNDERFACE + Reference	Ceiling cut A cm	B cm	C cm	Ceiling cut D cm	E cm	F cm	Net weight kg
SQ4150	182,9	185,5	13,6	12,5	11-15	15	3,9
SQ4180	212,9	215,5	13,6	12,5	11-15	15	4,2
SQ4200	232,9	235,5	13,6	12,5	11-15	15	4,3
SQ4240	272,9	275,5	13,6	12,5	11-15	15	4,8
SQ4270	302,9	305,5	13,6	12,5	11-15	15	5
SQ4300	332,9	335,5	13,6	12,5	11-15	15	5,5
SQ4350	382,9	385,5	13,6	12,5	11-15	15	8



Easy and aesthetic installation:
The underface + offers a 2 in 1
solution for integrating your screen
in a false ceiling

Mounting kit



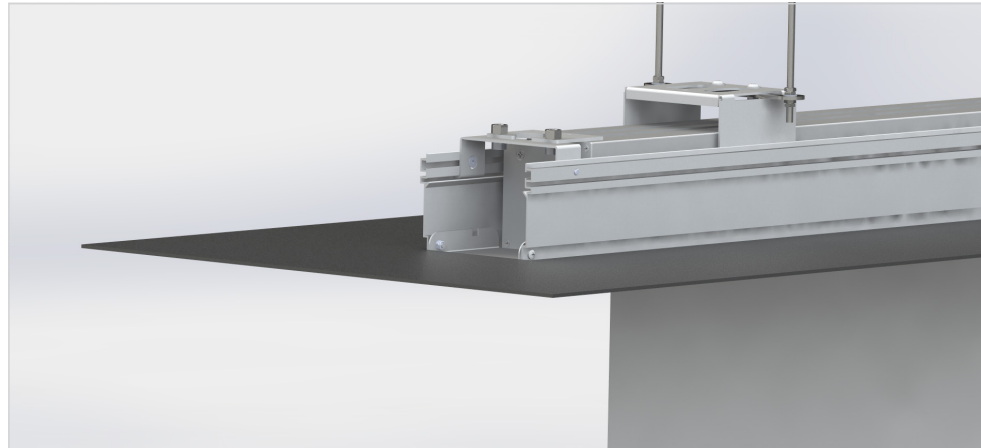
1m threaded rods and S brackets

For one underface up to 3m base for SQ4350	Reference OPTKITFIX01 OPTKITFIX02

Chemin de Beaurepaire
91410 DOURDAN - FRANCE
Tel +33 1 64 59 94 54

2 possibilities of installations

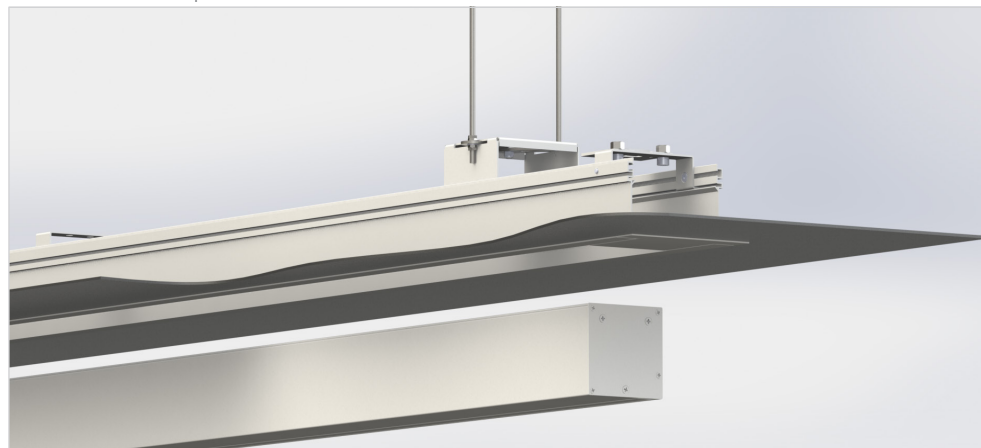
One shot installation



One shot installation:

Installation of the screen at the same time of the underface

Installation in two phases



installation in two phases:

1. Installation of the underface + during false ceiling construction
2. Installation of the screen in the underface+ when works are finished

Chemin de Beaurepaire
91410 DOURDAN - FRANCE
Tel +33 1 64 59 94 54