

Front view

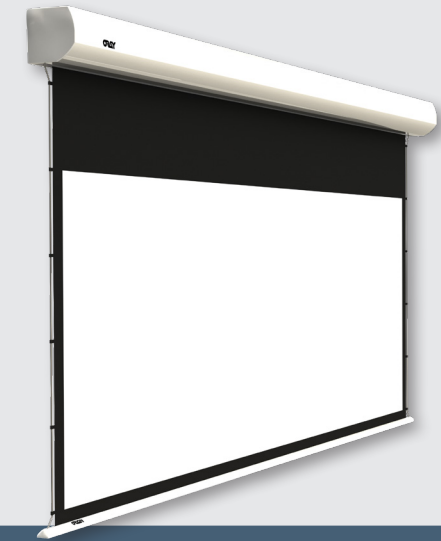
- A Image height
- B Image base
- C Extradrop
- D Fabric total height
- E Fabric total base
- F Casing length
- G Weighing bar length

Other FABRIC,
DIMENSIONS,
COLORS

On request

Technical data

ORION TENS Reference	A cm	B cm	C cm	D cm	E cm	F cm	G cm	Wattage W	Net weight kg
4:3 format	4cm black borders								
OR3B5129172	129	172	4	137	180	224	219	100	17
OR3B5144192	144	192	4	152	200	244	239	100	19
OR3B5174232	174	232	4	182	240	284	279	100	22
OR3B5196262	196	262	4	204	270	314	309	100	28
OR3B5219292	219	292	4	227	300	344	339	100	31
OR3B5257342	257	342	4	265	350	394	389	140	51
OR3B5294392	294	392	4	302	400	444	439	140	53
16:9 format	4cm black borders + 30cm black extra drop								
OR3B5108192	108	192	30	142	200	244	239	100	19
OR3B5130232	130	232	30	164	240	284	279	100	22
OR3B5147262	147	262	30	181	270	314	309	100	28
OR3B5164292	164	292	30	198	300	344	339	100	30
OR3B5192342	192	342	30	226	350	394	389	140	48
OR3B5220392	220	392	30	254	400	444	439	140	53
OR3B5277492	277	492	30	311	500	544	539	140	66
16:10 format	4cm black borders + 20cm black extra drop								
OR3B5120192	120	192	20	144	200	244	239	100	19
OR3B5145232	145	232	20	169	240	284	279	100	22
OR3B5164262	164	262	20	188	270	314	309	100	28
OR3B5182292	182	292	20	206	300	344	339	100	30
OR3B5214342	214	342	20	238	350	394	389	140	49
OR3B5245392	245	392	20	269	400	444	439	140	53
OR3B5307492	307	492	20	331	500	517	544	140	66



Electric screen with tensioned projection surface for perfect flatness.

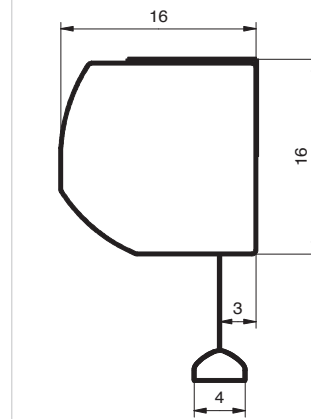
This product has also been designed to be installed easily, no matter the constraints: Speed Solo System.

- Fully protected, it does not let appear any screw, including the screen fixing elements
- The two side cables allow the projection surface to remain perfectly flat, whatever the surroundings of the screen
- Black borders
- Aluminium weighing bar closing the whole case in stand-up position
- Aluminium casing with white epoxy finish. Other colors on demand.
- Wall or ceiling mounting
- Remote control in option
- Wired switch included
- Motor on the right

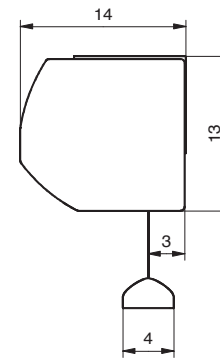
Chemin de Beaurepaire
91410 DOURDAN - FRANCE
Tel +33 1 64 59 94 54

Side views

Large casing

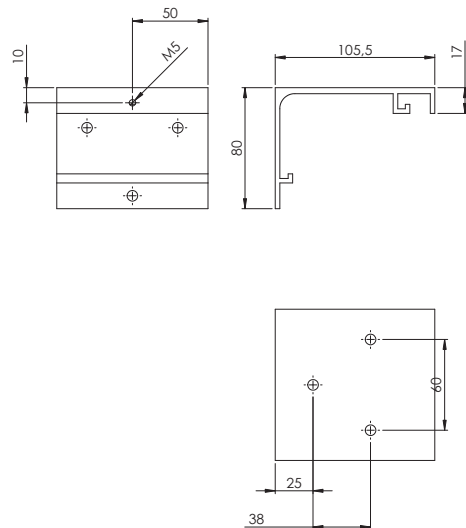


Small casing

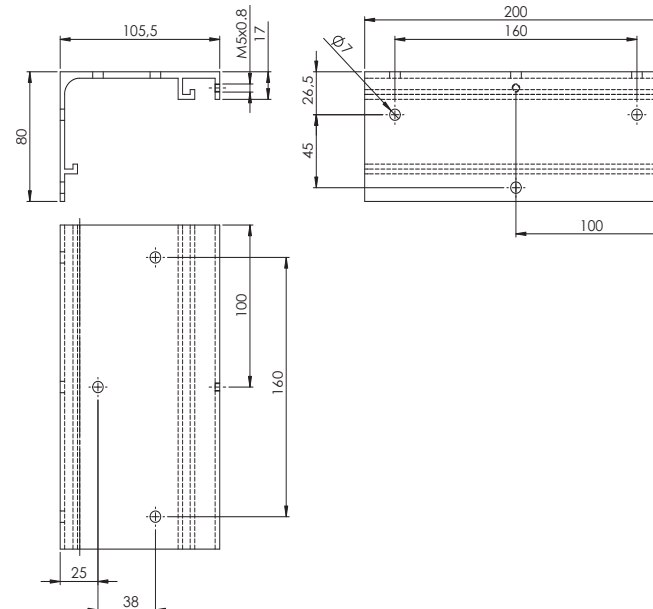


Installation brackets

Installation brackets A for screen < 5m base



Installation bracket B for screen of 5m base

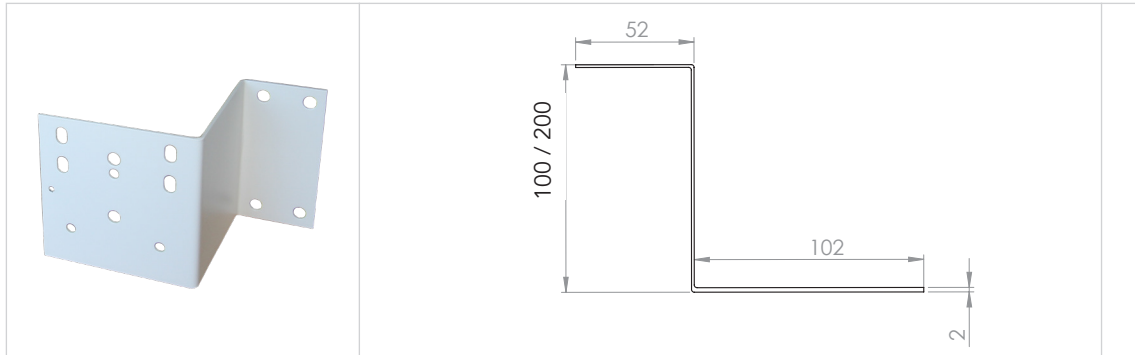


INSTALLATION BRACKETS

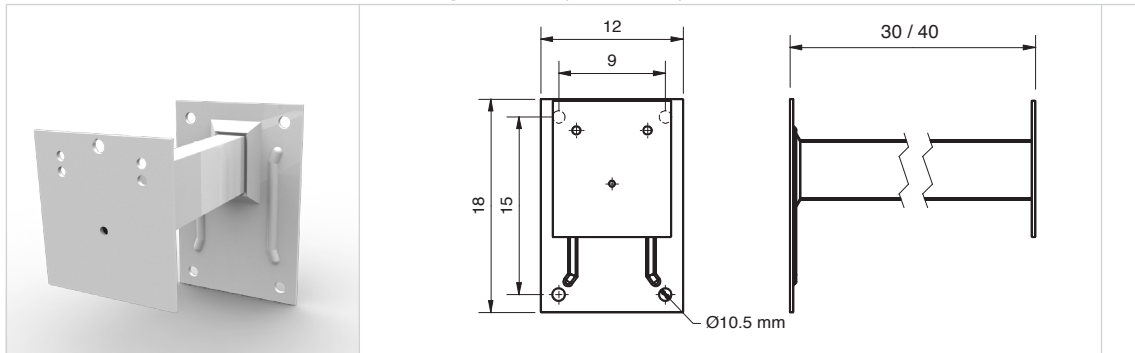
Base < 3m	2 brackets A
3m ≤ base < 5m	3 brackets A
Basse = 5m	3 brackets B

Extending brackets

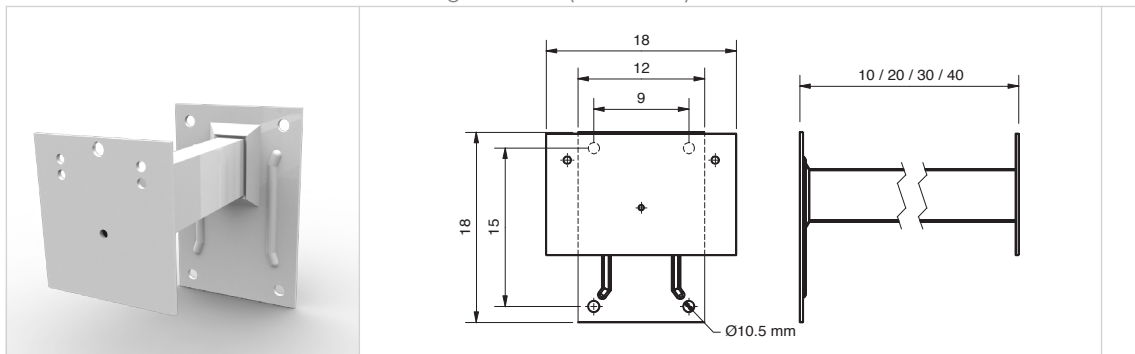
Extending brackets (base < 5m) 10 or 20 cm



Extending brackets (base < 5m) 30 or 40 cm



Extending brackets (base = 5m) from 10 to 40 cm



EXTENDING BRACKETS

Base < 3m The pair

Dimension	Reference
10cm	OPTECAR10GOR2
20cm	OPTECAR20GOR2
30cm	OPTECAR30GOR2
40cm	OPTECAR40GOR2

3m ≤ Base < 5m The trio

Dimension	Reference
10cm	OPTECAR10GOR3
20cm	OPTECAR20GOR3
30cm	OPTECAR30GOR3
40cm	OPTECAR40GOR3

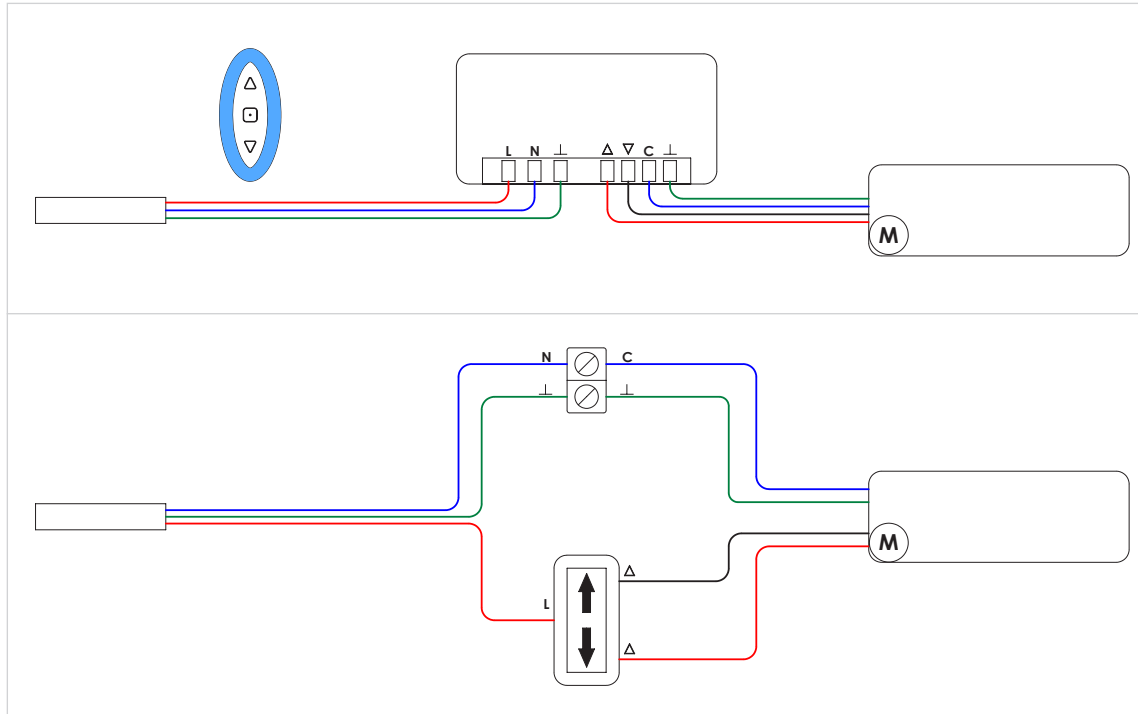
Base = 5m The trio

Dimension	Reference
10cm	OPTECAR10GOR5
20cm	OPTECAR20GOR5
30cm	OPTECAR30GOR5
40cm	OPTECAR40GOR5

Chemin de Beaurepaire
91410 DOURDAN - FRANCE
Tel +33 1 64 59 94 54

Wiring

Wiring diagrams for remote control receiver and wired switch



WIRING



In case of automation control, the power must be cut off between rolling up and unrolling order.

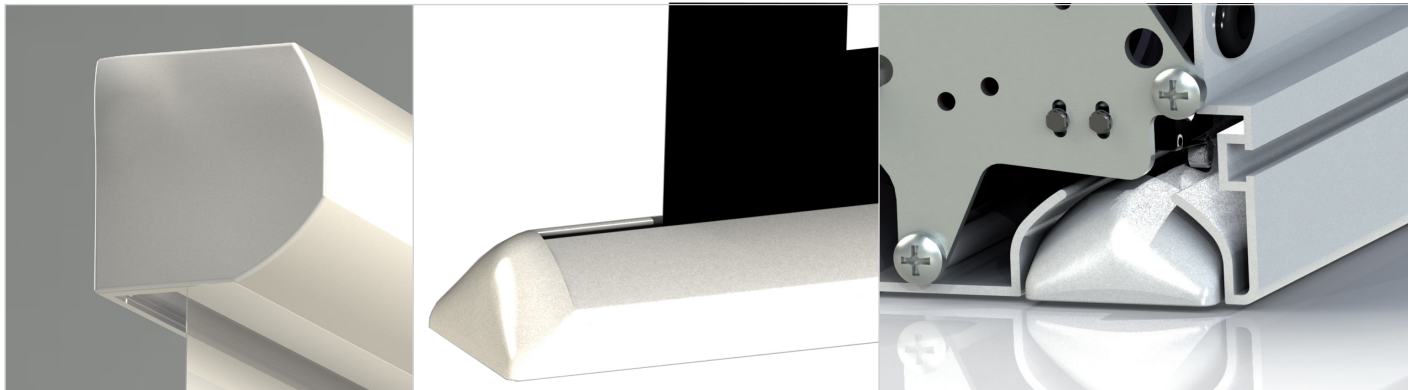
- L Live
- ↑ Up
- N Neutral
- ↓ Down
- C Common
- ⊥ Ground



Casing without visible screw

Weighing bar

Motor cut-off security device when closing



Chemin de Beaurepaire
91410 DOURDAN - FRANCE
Tel +33 1 64 59 94 54