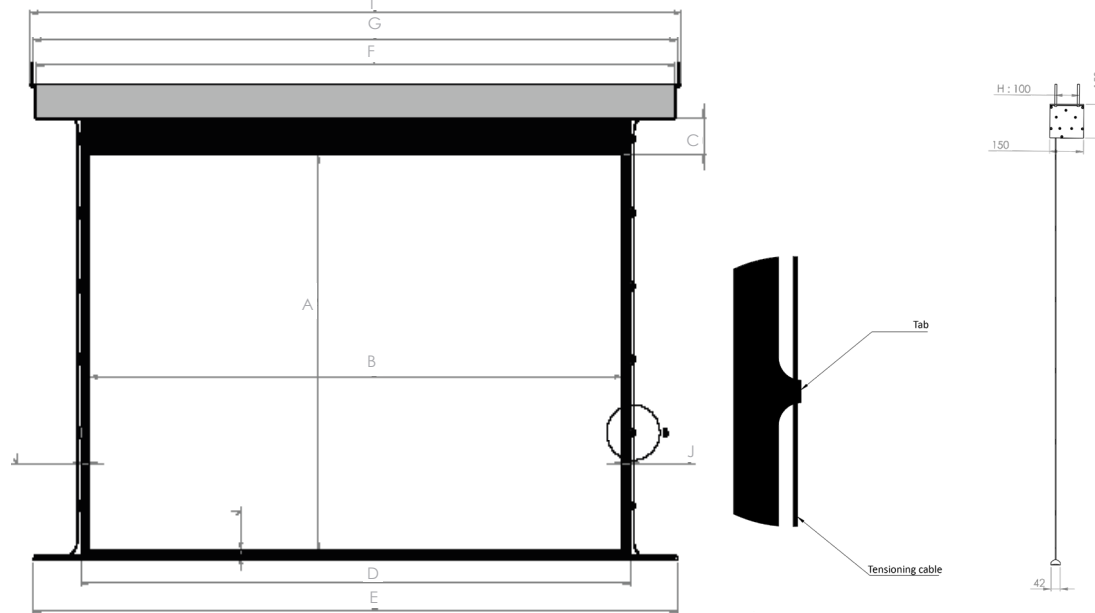


Front and profile views

- A Image height
- B Image base
- C Extradrop
- D Fabric total base
- E Weighing bar length
- F Casing length
- G Fixing center distance
- H Fixing center distance
- I Overall length
- J Black borders



Other DIMENSIONS,
FABRICS,
COLORS

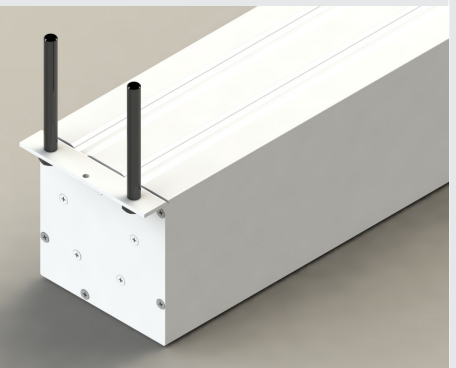
on request

Technical data

Jumbo Tensioned Reference	A cm	B cm	C cm	D cm	E cm	F cm	G cm	H cm	I cm	J cm
16:10 Format							Fixing center distance			
JU3B5145232	145	232	20	240	279,4	280	283,8	10	286,8	4
JU3B5164262	164	262	20	270	309,4	310	313,8	10	316,8	4
JU3B5182292	182	292	20	300	339,4	340	343,8	10	346,8	4
JU3B5214342	214	342	20	350	389,4	390	393,8	10	396,8	4
JU3B5245392	245	392	20	400	439,4	440	443,8	10	446,8	4
JU3B5307492	307	492	20	500	539,4	540	543,8	10	546,8	4
4:3 Format										
JU3B5174232	174	232	4	240	279,4	280	283,8	10	286,8	4
JU3B5196262	196	262	4	270	309,4	310	313,8	10	316,8	4
JU3B5219292	219	292	4	300	339,4	340	343,8	10	346,8	4
JU3B5257342	257	342	4	350	389,4	390	393,8	10	396,8	4
JU3B5294392	294	392	4	400	439,4	440	443,8	10	446,8	4
JU3B5369492	369	492	4	500	539,4	540	543,8	10	546,8	4
16:9 Format										
JU3B5130232	130	232	30	240	279,4	280	283,8	10	286,8	4
JU3B5147262	147	262	30	270	309,4	310	313,8	10	316,8	4
JU3B5164292	164	292	30	300	339,4	340	343,8	10	346,8	4
JU3B5192342	192	342	30	350	389,4	390	393,8	10	396,8	4
JU3B5220392	220	392	30	400	439,4	440	443,8	10	446,8	4
JU3B5277492	277	492	30	500	539,4	540	543,8	10	546,8	4

In addition to its reliability, this top of the range screen offers you a full screen image format.

- Tensioned blackout matt white projection surface with black borders
- The weighing bar closes the whole case in stand-up position
- Remote control in option
- Wired switch included
- Motor on the right

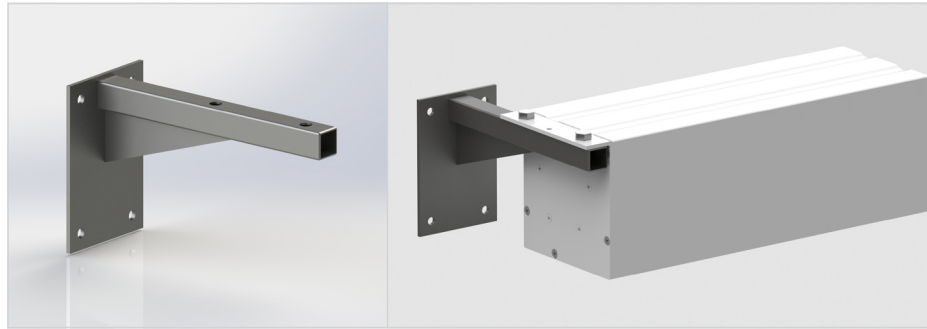


Chemin de Beaurepaire
91410 DOURDAN - FRANCE
Tel +33 1 64 59 94 54



www.oray.fr

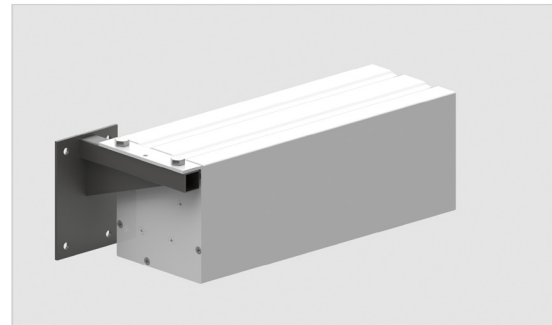
Stand-off brackets



STAND-OFF BRACKETS

The pair	Reference
10cm	OPTECAR10JU
20cm	OPTECAR20JU
30cm	OPTECAR30JU
40cm	OPTECAR40JU

Wall mounting



WALL MOUNTING

Unit	Reference
The pair	PATMURJUM15

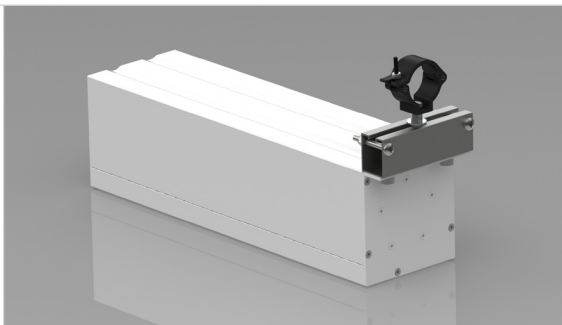


Before fixing to the wall with or without stand-off brackets: make sure that the wall will support the weight of the screen.

BARREL MOUNTING

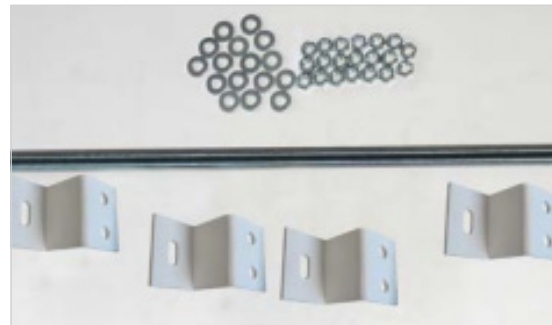
Unit	Reference
The pair	PATPERJUM01

Barrel mounting



Suspended mounting

Set 1m threaded rods and fixing brackets



SUSPENDED MOUNTING

Unit	Reference
1 kit	OPTKITOP2