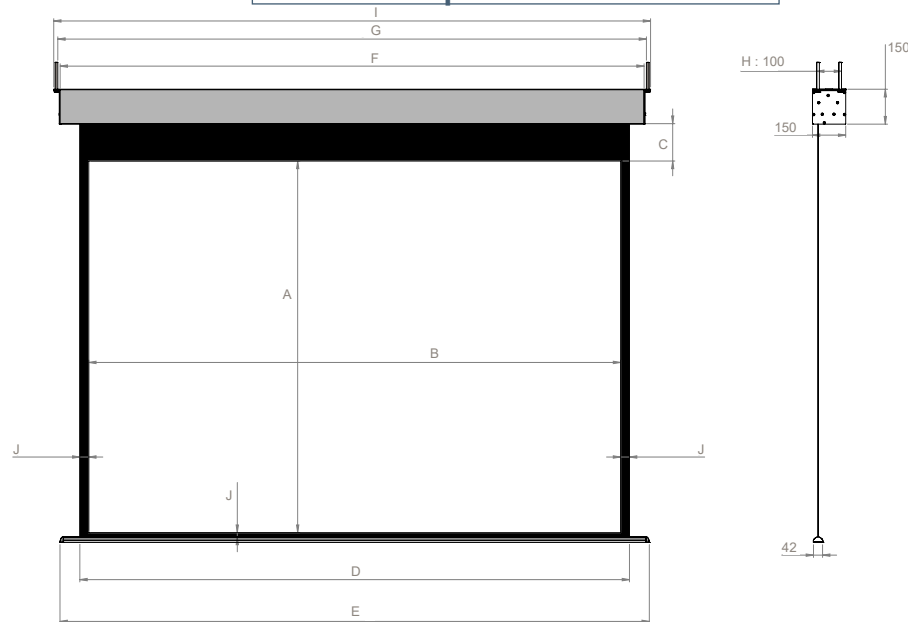


Front and profile views



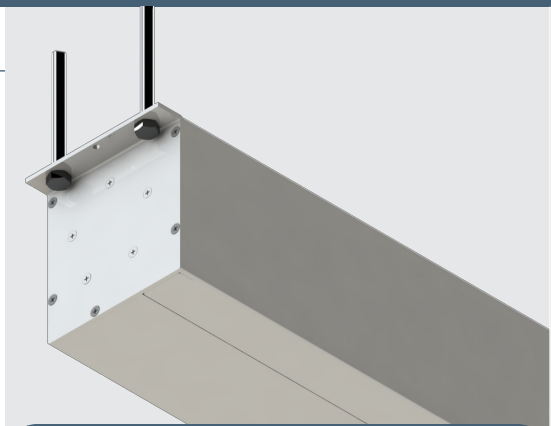
- A Image height
- B Image base
- C Extradrop
- D Fabric total base
- E Weighing bar length
- F Casing length
- G Fixing center distance
- H Fixing center distance
- I Overall length
- J Black borders

Other DIMENSIONS,
FABRICS,
COLORS

on request

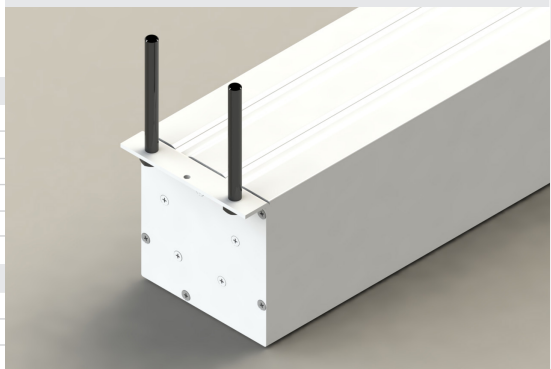
Technical data

Jumbo HC Reference	A cm	B cm	C cm	D cm	E cm	F cm	G cm	H cm	I cm	J cm
16:10 Format										
							Fixing center distance			
JU2B5145232	145	232	20	240	254,9	255,5	259,3	10	262,3	4
JU2B5164262	164	262	20	270	284,9	285,5	289,3	10	292,3	4
JU2B5182292	182	292	20	300	314,9	315,5	319,3	10	322,3	4
JU2B5214342	214	342	20	350	364,9	365,5	369,3	10	372,3	4
JU2B5245392	245	392	20	400	414,9	415,5	419,3	10	422,3	4
JU2B5307492	307	492	20	500	514,9	515,5	519,3	10	522,3	4
4:3 Format										
JU2B5174232	174	232	4	240	254,9	255,5	259,3	10	262,3	4
JU2B5196262	196	262	4	270	284,9	285,5	289,3	10	292,3	4
JU2B5219292	219	292	4	300	314,9	315,5	319,3	10	322,3	4
JU2B5257342	257	342	4	350	364,9	365,5	369,3	10	372,3	4
JU2B5294392	294	392	4	400	414,9	415,5	419,3	10	422,3	4
JU2B5369492	369	492	4	500	514,9	515,5	519,3	10	522,3	4
16:9 Format										
JU2B5130232	130	232	30	240	254,9	255,5	259,3	10	262,3	4
JU2B5147262	147	262	30	270	284,9	285,5	289,3	10	292,3	4
JU2B5164292	164	292	30	300	314,9	315,5	319,3	10	322,3	4
JU2B5192342	192	342	30	350	364,9	365,5	369,3	10	372,3	4
JU2B5220392	220	392	30	400	414,9	415,5	419,3	10	422,3	4
JU2B5277492	277	492	30	500	514,9	515,5	519,3	10	522,3	4



In addition to its reliability, this top of the range screen offers you a full screen image format.

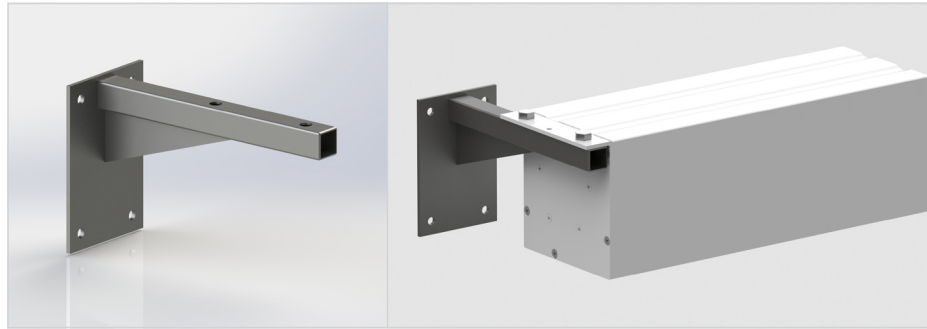
- Blackout matt white projection surface with black borders
- The weighing bar closes the whole case in stand-up position
- Remote control in option
- Wired switch included
- Motor on the right



Chemin de Beaurepaire
91410 DOURDAN - FRANCE
Tel +33 1 64 59 94 54



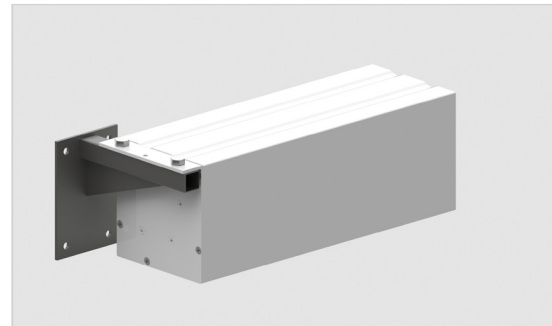
Stand-off brackets



STAND-OFF BRACKETS

The pair	Reference
10cm	OPTECAR10JU
20cm	OPTECAR20JU
30cm	OPTECAR30JU
40cm	OPTECAR40JU

Wall mounting



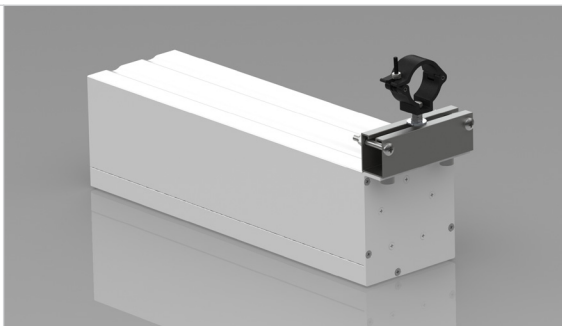
WALL MOUNTING

Unit	Reference
The pair	PATMURJUM15



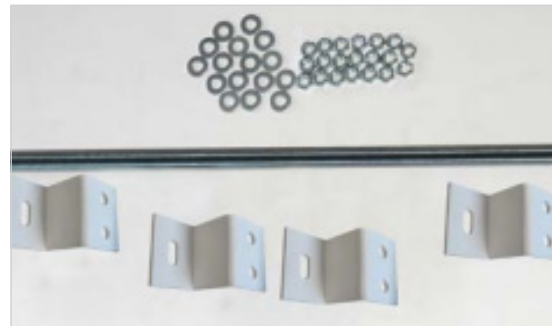
Before fixing to the wall with or without stand-off brackets: make sure that the wall will support the weight of the screen.

Barrel mounting



Suspended mounting

Set 1m threaded rods and fixing brackets



BARREL MOUNTING

Unit	Reference
The pair	PATPERJUM01

SUSPENDED MOUNTING

Unit	Reference
1 kit	OPTKITOP2

Chemin de Beaurepaire
91410 DOURDAN - FRANCE
Tel +33 1 64 59 94 54