

Front view

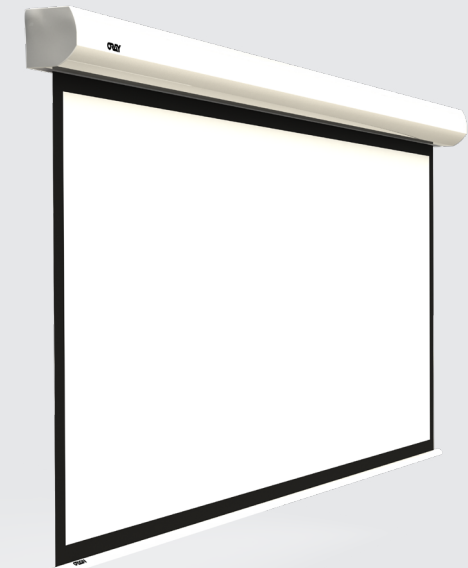
- A Image height
- B Image base
- C Extradrop
- D Fabric total height
- E Fabric total base
- F Casing length
- G Weighing bar length

Other FABRICS,
DIMENSIONS,
COLORS

On request

Technical data

| ORION HC Reference | A cm | B cm | C cm | D cm | E cm | F cm | G cm | Wattage W | Net weight kg |
|---------------------|--|------|------|------|------|------|------|-----------|---------------|
| 4:3 format | Black borders | | | | | | | | |
| OR2B5129172 | 129 | 172 | 4 | 137 | 180 | 196 | 192 | 100 | 16 |
| OR2B5144192 | 144 | 192 | 4 | 152 | 200 | 216 | 212 | 100 | 18 |
| OR2B5174232 | 174 | 232 | 4 | 182 | 240 | 256 | 252 | 100 | 21 |
| OR2B5197262 | 197 | 262 | 4 | 205 | 270 | 286 | 282 | 100 | 26 |
| OR2B5219292 | 219 | 292 | 4 | 227 | 300 | 316 | 312 | 100 | 30 |
| OR2B5257342 | 257 | 342 | 4 | 265 | 350 | 366 | 362 | 120 | 49 |
| OR2B5294392 | 294 | 392 | 4 | 302 | 400 | 417 | 412 | 120 | 51 |
| OR2B5369492 | 369 | 492 | 4 | 377 | 500 | 517 | 512 | 140 | 67 |
| 16:9 format | Black borders + 30cm black extra-drop | | | | | | | | |
| OR2B5108192 | 108 | 192 | 30 | 142 | 200 | 216 | 212 | 100 | 16 |
| OR2B5130232 | 130 | 232 | 30 | 165 | 240 | 256 | 252 | 100 | 17 |
| OR2B5147262 | 147 | 262 | 30 | 181 | 270 | 286 | 282 | 100 | 20 |
| OR2B5164292 | 164 | 292 | 30 | 198 | 300 | 316 | 312 | 100 | 26 |
| OR2B5192342 | 132 | 392 | 30 | 226 | 350 | 366 | 362 | 120 | 46 |
| OR2B5220392 | 220 | 392 | 30 | 255 | 400 | 417 | 412 | 120 | 50 |
| OR2B5277492 | 277 | 492 | 30 | 311 | 500 | 517 | 512 | 140 | 62 |
| 16:10 format | Black borders + 20cm black extra-drop | | | | | | | | |
| OR2B5120192 | 120 | 192 | 20 | 144 | 200 | 216 | 212 | 100 | 18 |
| OR2B5145232 | 145 | 232 | 20 | 169 | 240 | 256 | 252 | 100 | 21 |
| OR2B5164262 | 164 | 262 | 20 | 188 | 270 | 286 | 282 | 100 | 26 |
| OR2B5182292 | 182 | 292 | 20 | 206 | 300 | 316 | 312 | 100 | 30 |
| OR2B5214342 | 214 | 342 | 20 | 238 | 350 | 366 | 362 | 120 | 47 |
| OR2B5245392 | 245 | 392 | 20 | 269 | 400 | 417 | 412 | 120 | 51 |
| OR2B5307492 | 307 | 492 | 20 | 331 | 500 | 517 | 512 | 140 | 67 |



High standard electric screen ensuring its users reliability, aesthetics and recessing features to achieve the desired look without compromise. This product has also been designed to be installed easily, no matter the constraints: Speed Solo System.

- Fully protected, it does not let appear any screw, including the screen fixing elements
- Black borders
- Aluminium weighing bar closing the whole case in stand-up position
- Aluminium casing with white epoxy finish. Other colors on demand
- Wall or ceiling mounting
- Remote control in option
- Inverseur filaire fourni
- Motor on the right

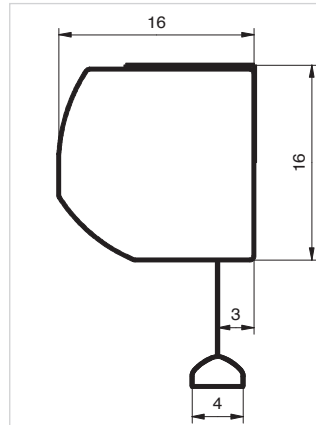
Chemin de Beaurepaire
91410 DOURDAN - FRANCE
Tel +33 1 64 59 94 54



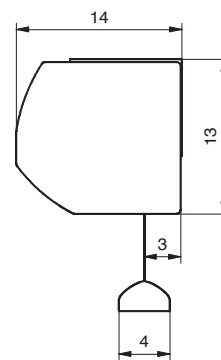
www.oray.fr

Side view

Large casing



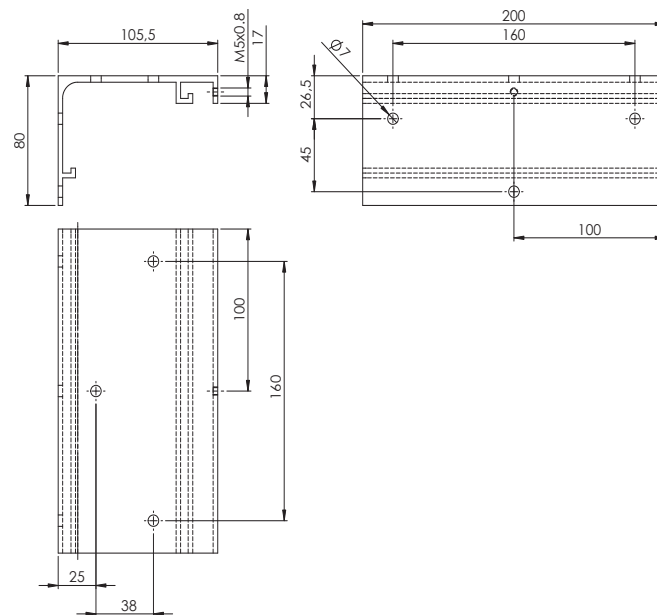
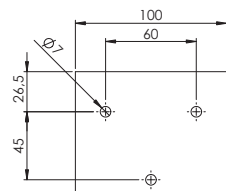
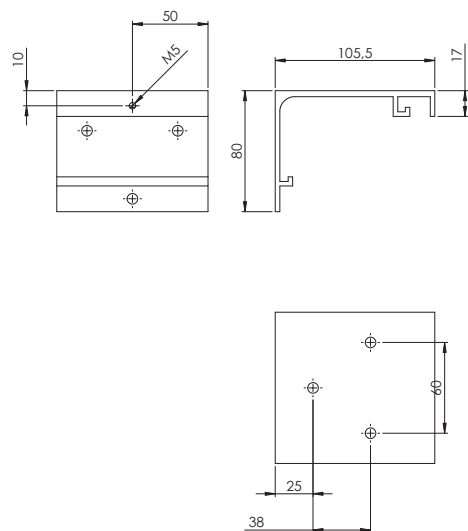
Small casing



Installation brackets

Installation brackets A for screen < 5m base

Installation bracket B for screen of 5m base



INSTALLATION BRACKETS

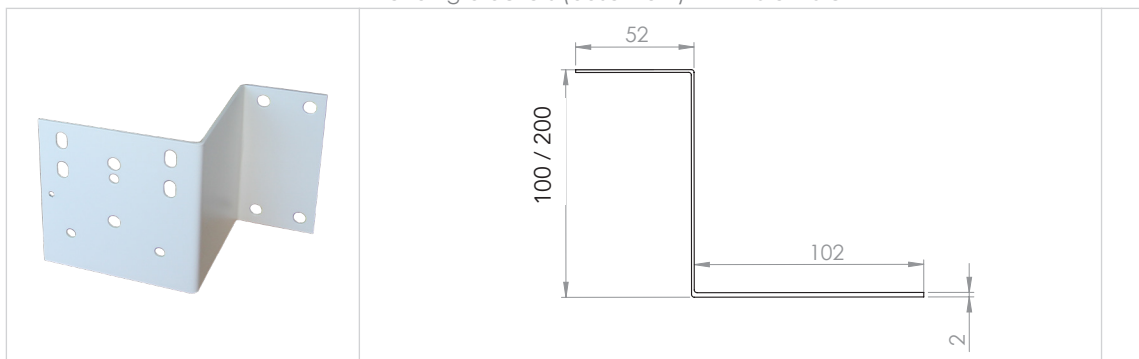
| | |
|----------------|--------------|
| Base < 3m | 2 brackets A |
| 3m ≤ base < 5m | 3 brackets A |
| Basse = 5m | 3 brackets B |

Chemin de Beaurepaire
91410 DOURDAN - FRANCE
Tel +33 1 64 59 94 54

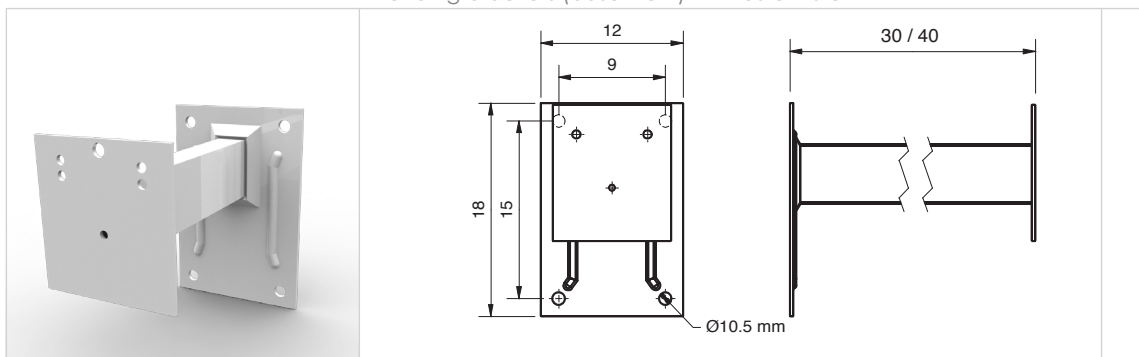


Extending brackets

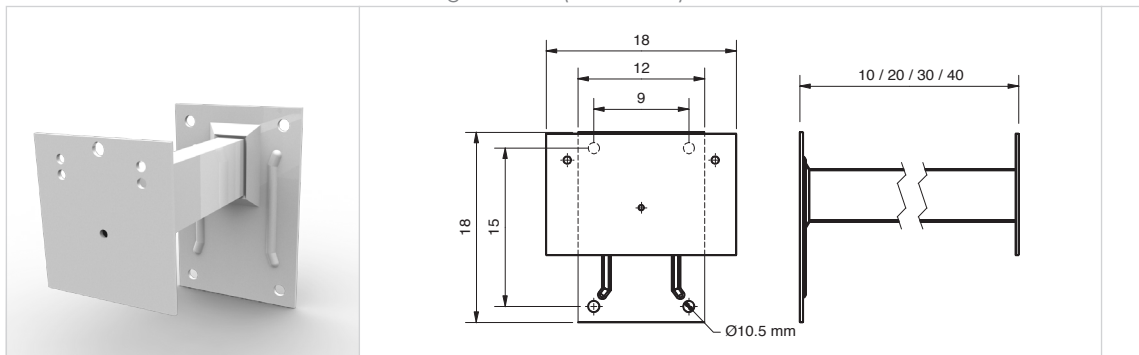
Extending brackets (base < 5m) 10 or 20 cm



Extending brackets (base < 5m) 30 or 40 cm



Extending brackets (base = 5m) de 10 à 40 cm



EXTENDING BRACKETS

Base < 3m

The pair

| Dimension | Reference |
|-----------|---------------|
| 10cm | OPTECAR10GOR2 |
| 20cm | OPTECAR20GOR2 |
| 30cm | OPTECAR30GOR2 |
| 40cm | OPTECAR40GOR2 |

3m ≤ Base < 5m

The trio

| Dimension | Reference |
|-----------|---------------|
| 10cm | OPTECAR10GOR3 |
| 20cm | OPTECAR20GOR3 |
| 30cm | OPTECAR30GOR3 |
| 40cm | OPTECAR40GOR3 |

Base = 5m

The trio

| Dimension | Reference |
|-----------|---------------|
| 10cm | OPTECAR10GOR5 |
| 20cm | OPTECAR20GOR5 |
| 30cm | OPTECAR30GOR5 |
| 40cm | OPTECAR40GOR5 |

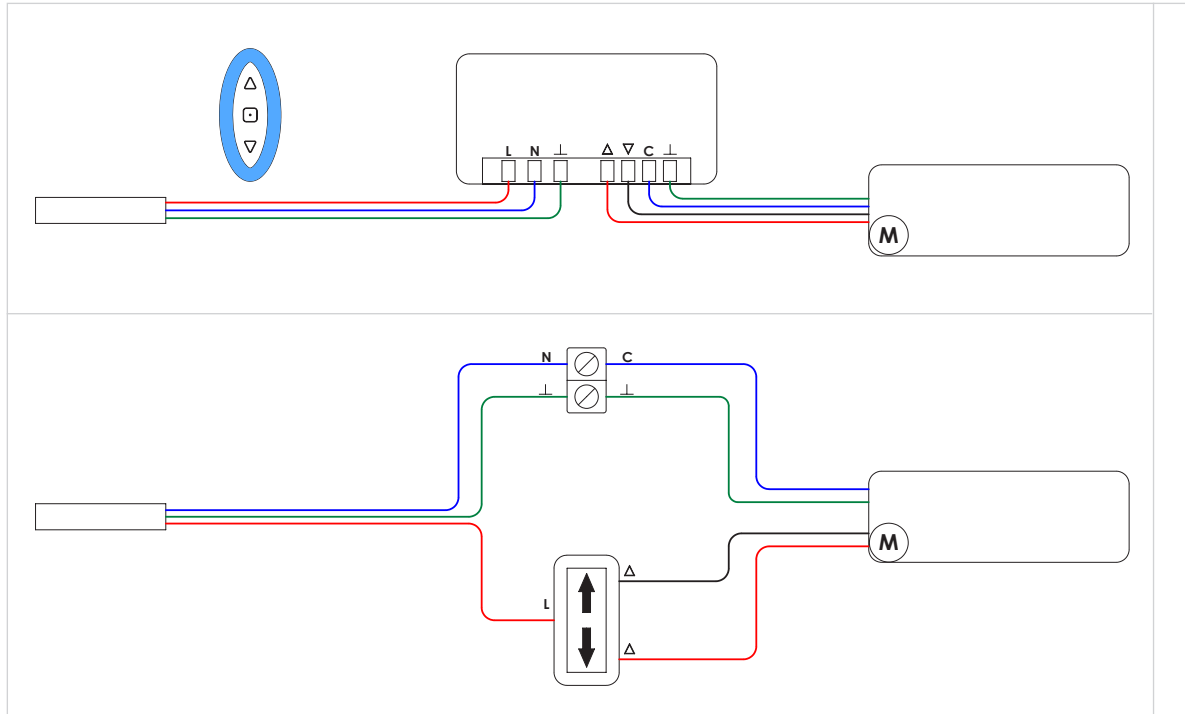
Chemin de Beaurepaire
91410 DOURDAN - FRANCE
Tel +33 1 64 59 94 54



www.oray.fr

Wiring

Wiring diagrams for remote control receiver and wired switch



Wiring



In case of automation control, the power must be cut off between rolling up and unrolling order

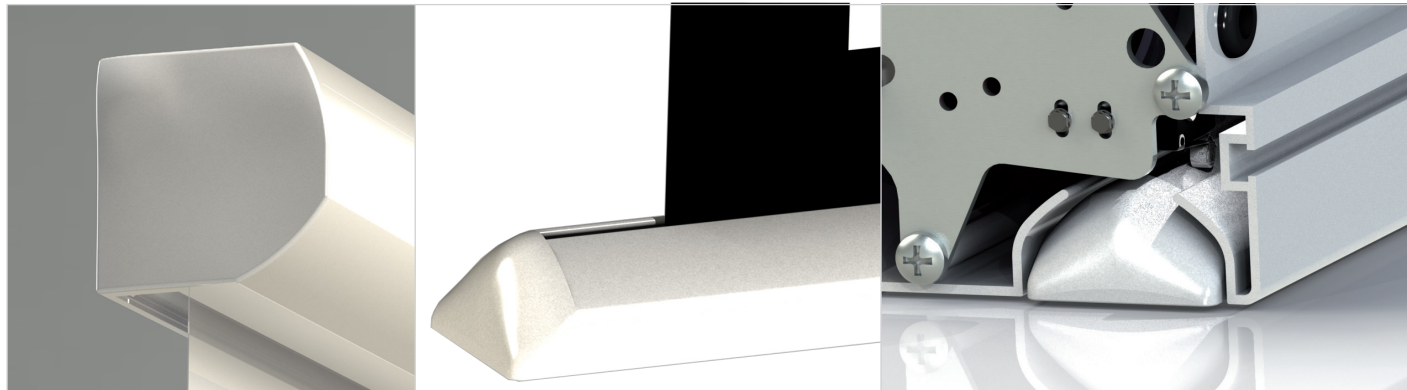
- L Live
- ↑ Up
- N Neutral
- ↓ Down
- C Common
- ⊥ Ground



Casing without visible screw

Weighing bar

Motor cut-off security device when closing



Chemin de Beaurepaire
91410 DOURDAN - FRANCE
Tel +33 1 64 59 94 54



TECHNICAL SHEET